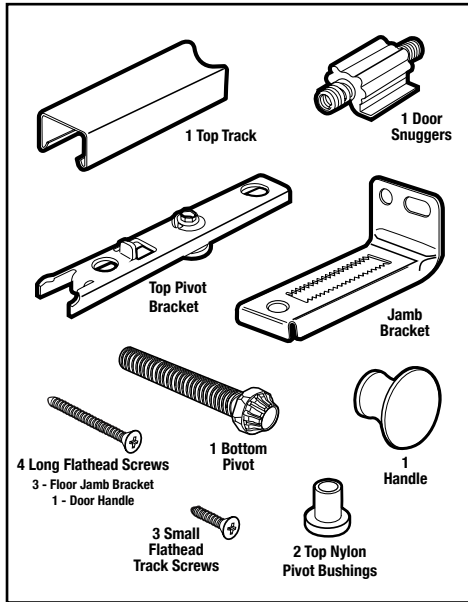


Tools Needed

- Tape Measure • Hammer • Drill
- #2 Phillips Screw driver
- 3/32" Drill bit • Pencil
- Safety Glasses • Level

Package Hardware Includes



Hardware Location

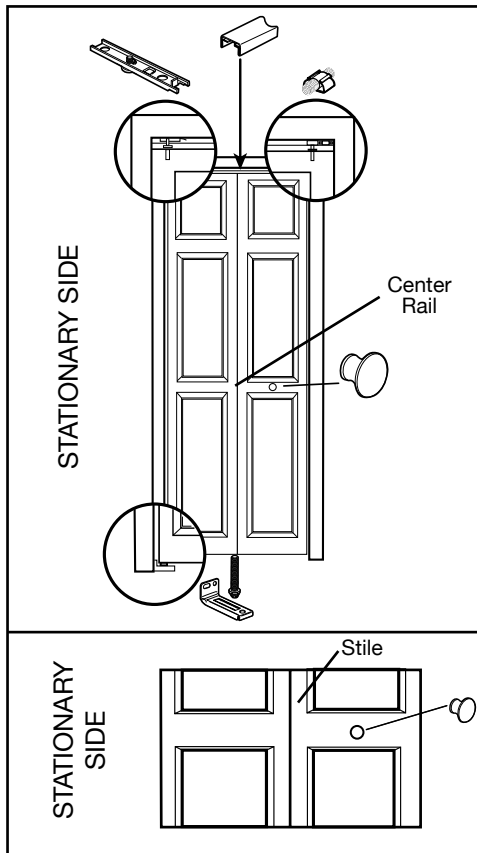
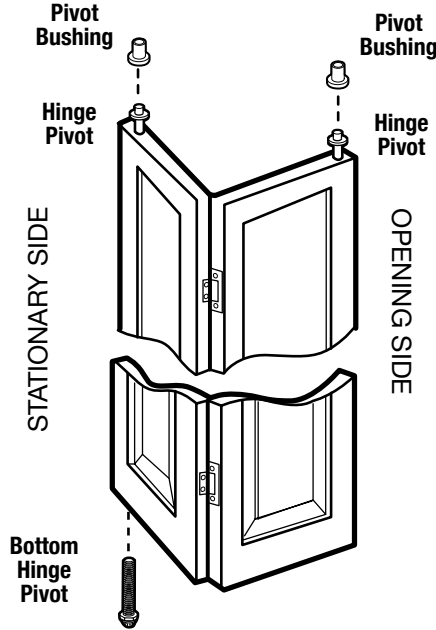


Figure 1

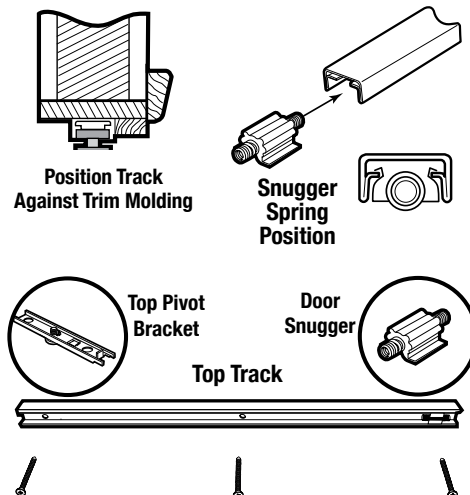
Your Bifold door is made ready to install. Trimming is NOT recommended.

1. Insert the top pivots. There are two top pivots located on the top of the doors. Before installing door, attach Pivot Bushings onto each Hinge Pivot. One Hinge Pivot should be installed on the side of the door that will remain stationary by the door jamb. The other, will glide through the track as the door opens and closes.

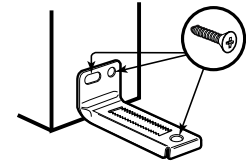


Insert the bottom pivot. This should be installed into the pre-drilled hole at the bottom edge of the door that will remain near the jamb side of the opening.

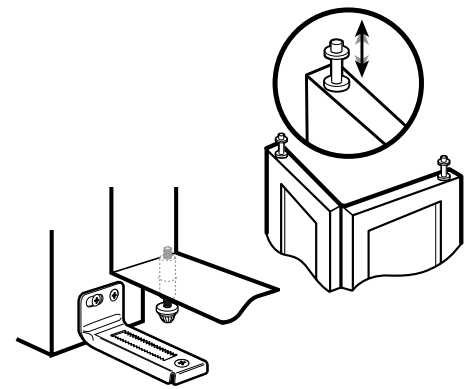
2. Install the top track. Measure the center of the door header to determine the placement of the track. After having made pilot holes for the track screws, Insert the Door Snugger to the open side and the Top Pivot Bracket to the Stationary side (move to a position where anchor screws can be installed). Install the track with the screws provided.



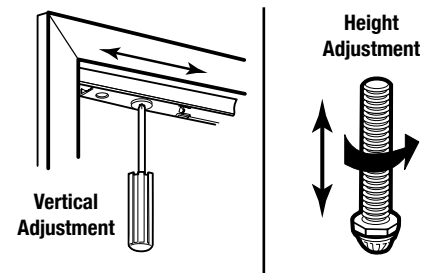
3. Install the jamb bracket. Measure the base of the jamb to determine the placement of the jamb bracket. This should be in line with the measurements made for installing your top track. Drill pilot holes, then install the jamb bracket using the screws provided.



4. Install the door panels. Install the door panels by inserting the top pivot at the pivoting side of the door into the track bracket. Depress the guide pivot and position it under the track, then release it so the guide pivot is securely positioned in the track. With the top pivots inserted, lift upward on the panels and position the bottom pivot into the jamb bracket on the floor. Let the bottom pivot sit onto the jamb bracket firmly with the knurled teeth engaged.



5. Adjust door. The door height can be adjusted by slightly lifting the panels and turning the threaded stem of the bottom pivot. You should seat the bottom pivot into the jamb bracket at the desired height. Be sure the door is plumb with your opening and not rubbing against the door jamb. You may also need to adjust the track bracket by loosening the bracket screw and sliding the bracket within the track. Be sure to tighten it at your desired location. You can also adjust the door closer to or farther away from the jamb, as necessary, by moving the bottom pivot in either direction.



6. Install door handle. The knob should be installed on the center rail of the innermost door panel. A red mark indicates the locations. Make a pilot hole and attach the door handle with the screw provided. See Figure 1.