

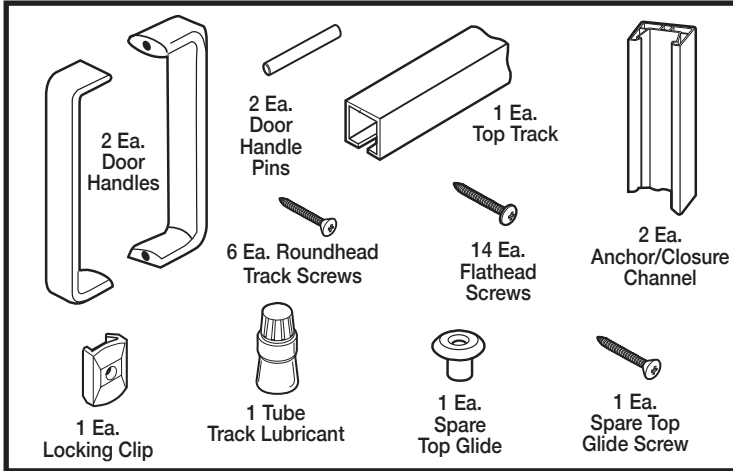
Royale/Ellington Installation Instructions

For quick and easy installation of your folding door, read these instructions thoroughly.

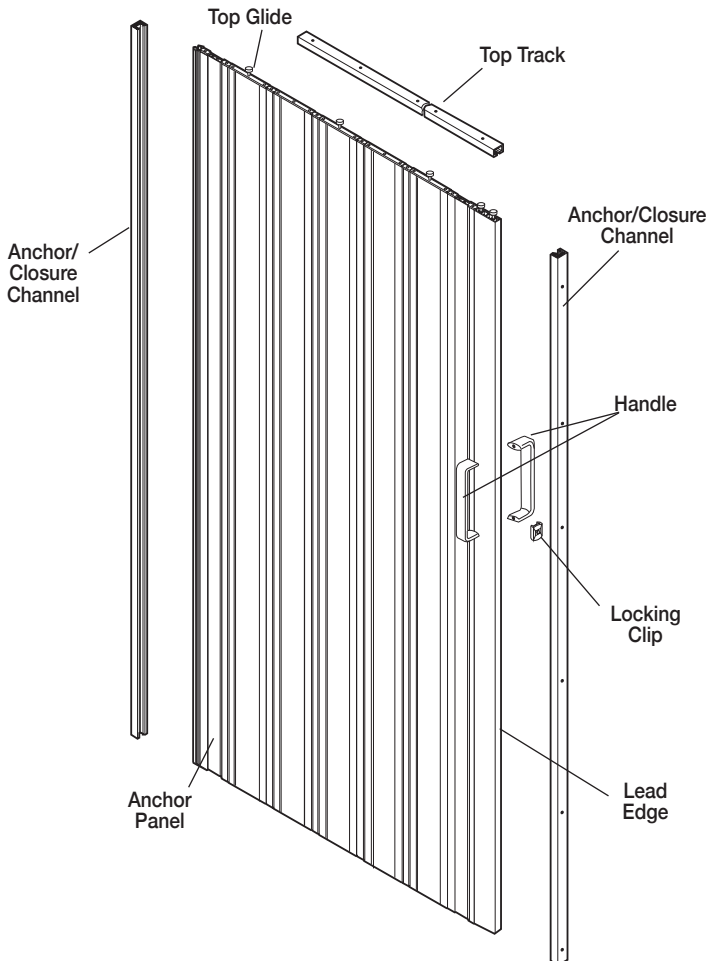
The Tools You Will Need

- Drill • Phillips screwdriver bit • 3/32" drill bit for pilot holes
- small Phillips head screwdriver • tape measure • pencil
- fine tooth hacksaw • safety glasses • level • masking tape
- fine sandpaper (can be used to smooth edges after cutting)

Make sure all of the following Parts are included before you begin:



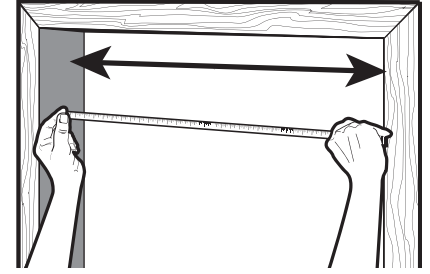
Door Parts Location



SINGLE DOOR INSTALLATION

1. Measure the Door Opening

Measure the height and width of your finished opening. This door fits openings that are 24" to 36" wide and 80" high.



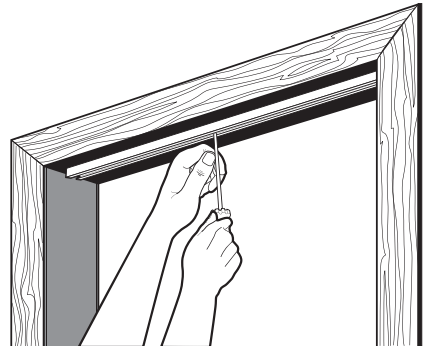
If the height of your door opening is approximately 80", you will not need to alter the height of the door. If the opening is less than 80" high, the door may be shortened by sawing the excess from the bottom of the door panels.

Trimming the Door Height and Top Track:

Stack the door panels together and secure with masking tape. Remove bottom hinge screws. Cut excess off with a hacksaw. Replace bottom hinge screws and remove tape. Fine sandpaper can be used to smooth any rough edges after cutting.

2. Install the Top Track

The top track should measure 1/8" shorter than your finished opening width. This allows for the pivoting of the track during installation.



Measure and mark the top track to the proper length for your opening. Using a fine-tooth hack saw, cut your top track.

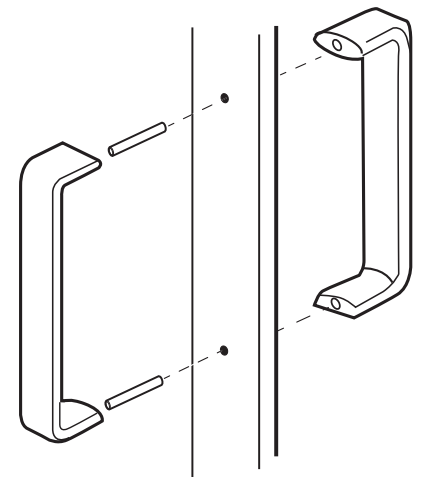
Fine sandpaper can be used to smooth any rough edges after cutting. Trimming the top track may not be necessary.

Position the top track so it is straight and centered in the door jamb.

Make a pilot hole through the screw hole nearest the center of the track. After making the pilot hole, insert a track screw here to hold the track in place. Do not tighten fully.

3. Attach the Handle

Tap the two handle attachment pins into one handle and then fit the pins through the two pre-drilled holes on the lead edge of the door. Press and lightly tap the other handle onto the pins until the handles are seated. Do not strike the middle of either handle while tapping into place.



Royale/Ellington Installation Instructions

4. Hang Door onto Track

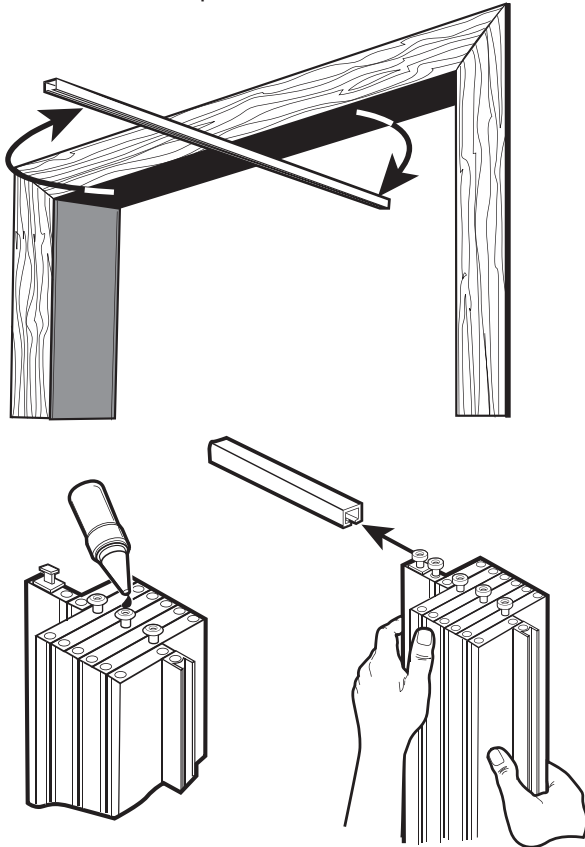
Apply lubricant to each top glide. It is not required but you can also lubricate the top track.

Decide if the door will open from the left or the right. When sliding the door onto the top track, make sure the panel with the door handles is facing towards the opening side.

Pivot one end of the top track outward.

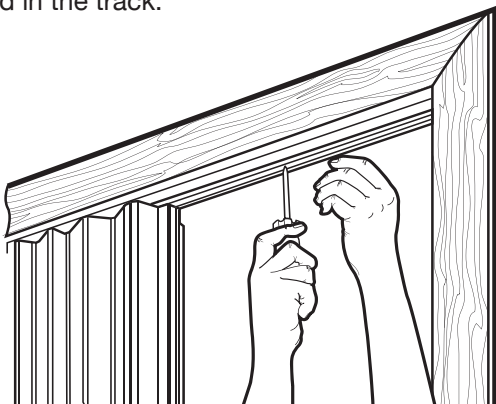
Slide all of the top glides onto the top track.

Stack the panels together near the center screw and pivot the top track back into place.



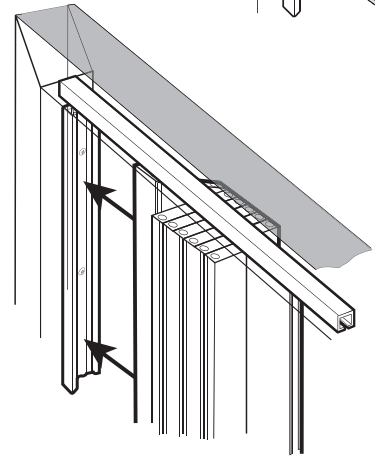
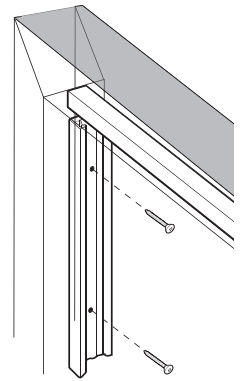
5. Secure the Top Track

Make sure the track is straight. Drill pilot holes through the remaining pre-drilled holes in the top track and secure the track with the Track screws provided. Set all screws as straight and tight as possible to ensure the smooth operation of the door. Be sure to fully tighten the first screw you installed in the track.



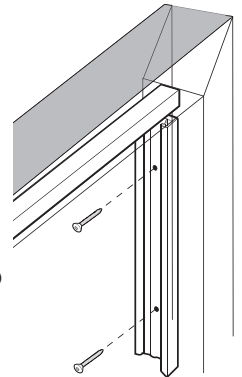
6. Install the Anchor Channel

Place the anchor channel on the **non-opening side** of the door jamb. Use a level to make sure the channel is centered and plumb. Mark the pre-drilled holes in the channel. Remove the channel and drill pilot holes where you marked the jamb. Secure the anchor channel to the jamb using the flathead screws provided. Press the anchor panel into the channel.



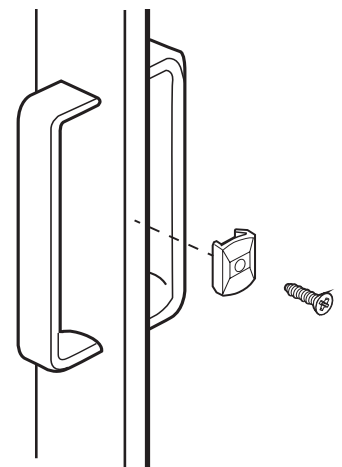
7. Install the Closure Channel

Place the closure channel on the **opening side** of the door jamb. Use a level to make sure the channel is centered and plumb. Mark the pre-drilled holes in the channel. Remove the channel and drill pilot holes where you marked the jamb. Secure the closure channel to the jamb using the flathead screws provided.



8. Attach Locking Clip

Align the locking clip with the pre-drilled pilot hole located on the edge of the door between the door handles. Install the locking clip using a flathead screw.



Royale/Ellington Installation Instructions

DOUBLE DOOR INSTALLATION

1. Measure the Door Opening

Divide the width of the opening by two. Cut each top track to this measurement so that when installed, the tracks butt against one another in the center of the door opening.

2. Install the Top Track

On a center line drawn across the top of the door opening, install either track and install all screws in this track. You will install the remaining track later.

3. Attach the Handles

Tap the two handle attachment pins into one handle, then fit the pins through the door panel holes. Press the other handle onto the pins. If necessary, you may back one handle with a solid object and tap the other handle alternately over each pin area until the handles are seated. Do not strike the middle of either handle. Repeat with the handle for the other door.

4. Hang the Doors onto the Track

Apply track lubricant to each top glide. Slide both doors onto the installed track with the lead edges facing each other.

5. Install Remaining Top Track

Install the second track. Slide one of the doors onto this track. Set a track screw at the track center joint and leave the screw projecting down 1/2" to prevent the glides from passing the joint.

6. Install the Anchor Channels

Place the anchor channel on one side of the door jamb. Use a level to make sure the channel is centered and plumb. Mark the pre-drilled holes in the channel. Remove the channel and drill pilot holes where you marked the jamb. Secure the anchor channel to the jamb using the flathead screws provided. Press the anchor panel into the channel. Repeat these steps on the other side of the door jamb.

7. Install the Closure Channel

Align the closure channel on the lead edge of one of the doors so that it is flush with the top and bottom of the door. Mark the pre-drilled holes in the Closure channel. Set the closure channel aside and drill pilot holes where you marked the lead edge. Secure the closure channel to the lead edge with the flathead screws.

8. Attach the Locking Clip

Align the locking clip with the pre-dilled hole located on the lead edge of the other door (between the door handles). Secure the locking clip with a flathead screw.

