

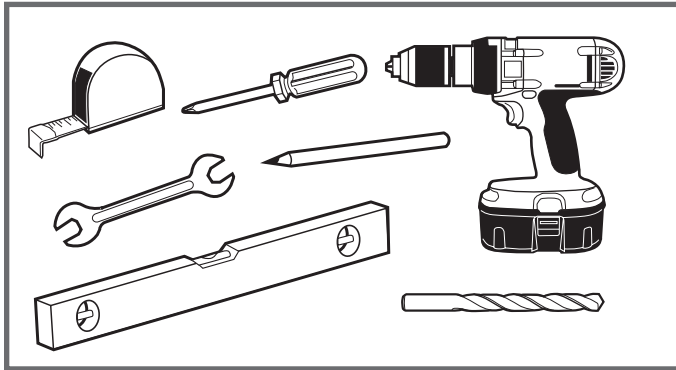
# Barn Door Track Installation

Please read ALL instructions before you begin installation.

You MUST determine if you need a Mounting Board prior to doing ANY installation. Due to many overlapping factors such as the location of wall studs, the weight of a Barn door and the various types of trim used in homes, we recommend using a Mounting Board in all situations. Track must be installed into Solid Blocking or Head Casing.

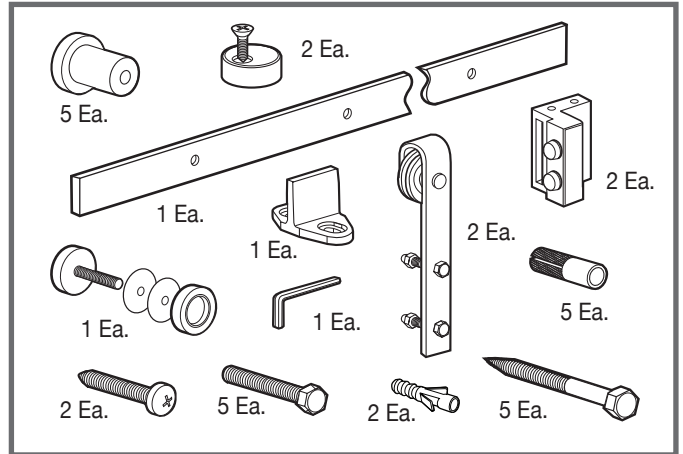
## Tools Needed

You will need a Pencil, Phillips head screwdriver, Tape measure, Drill, Assorted Drill bits (5/16" & 3/8"), 13mm Wrench, 16mm Wrench, 17mm Wrench, Squaring tool, 4ft Level, Rubber mallet and Safety glasses.



## Parts List

Make sure ALL parts are included before beginning.



**NOTE**

**NOTE:** It is very important to determine whether you will be installing a Mounting Board prior to installing the track. Please read Mounting Board section prior to installation. If you do need to install a Mounting Board, it **MUST** be installed first.

**NOTE**

### 1. Measure for Track Height

In order to determine the proper Height for your Barn Door Track, add 1-13/16" to the height of the door being installed. Locate and mark this height on the wall (or mounting board) on the side of the door jamb where the door would be in the closed position. See Figure #1.

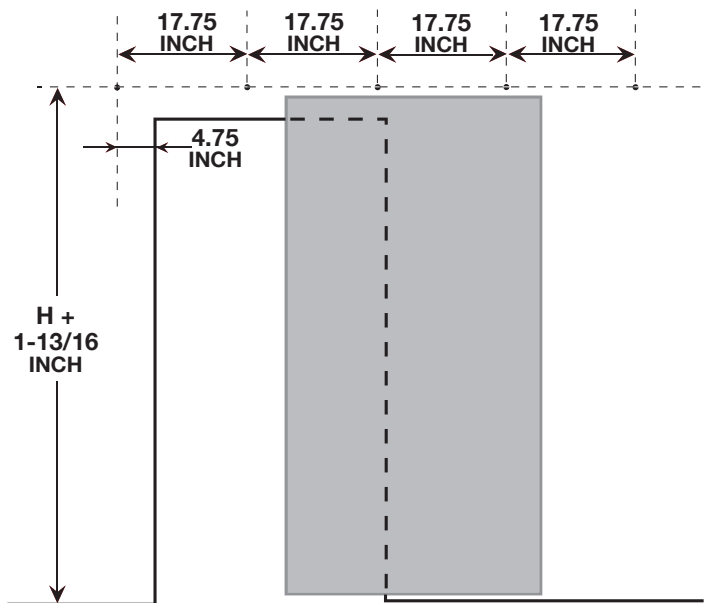
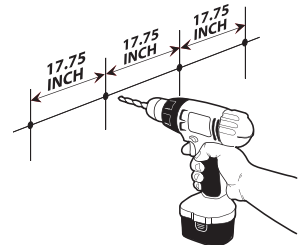


Fig. 1

### 2. Determine Track Location

On the same side where you made your Height mark, measure 4-3/4" over from the doorjamb and draw a line so the 2 measurements intersect. This will be the location of the first hole in the Track.

See Figure #1.



### 3. Insert Mounting Anchors & Bolts

Position track flat against the wall with the first hole of the track placed at the Intersections of the Marks (from steps 1 & 2). Mark the first hole in the track. Using the drill, insert the proper anchor for your wall type into the first hole in the track and tap into place until flush with the wall. Using a 4ft level to make sure the Track is level, mark the remaining holes with a pencil. Insert the remaining anchors. Then line the track up (ensuring it is level) with the anchors and mount the track to the wall with the spacers and bolts supplied and tighten bolts with the 13mm wrench.

Do not over-tighten bolts.

Refer to Figures 1 & 2.

Important: If you will need for the Door stops to be inside of the end screws on the track in order to attain more

narrow open and closed positions, then it is important to slide the Door stops onto the Track prior to attaching it to the wall.

Refer to Figure 6.

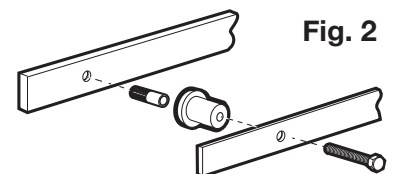


Fig. 2

# Barn Door Track Installation

## 4. Attach the Rolling Brackets to the Door

**Note:** You may skip this step if you have already attached the brackets to the finished door during the Barn door assembly process.

Make sure the door is laying flat in a safe and secure position. To determine the location of the Rolling brackets, measure 4 1/2" in from the side on the left and right sides of the door and mark these locations with a pencil.

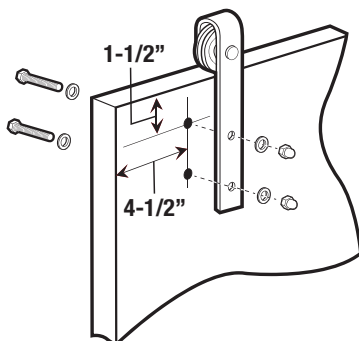


Fig. 3

Using a Square, draw a vertical line. Then from the top of the door, measure down 1 1/2" and make a mark. Using the square, draw a horizontal line. The intersection of these 2 lines will be the location for your first hole. Place a rolling bracket on the door and align the top hole with the mark for the first bolt. Drill a 3/8" hole and insert a bolt. Using the bracket and a square as a template, make sure the bracket is square and mark the second hole with a pencil and drill a 3/8" hole and insert the second bolt. Repeat these steps for the second Rolling bracket. Remove the bolts and brackets until the door has desired finish on it. Once you have finished your Barn door to your desired look, place the two rolling brackets back into place. Reinsert the 4 bolts with the decorative nut on the front of the door and put the washers and bolts onto the back side of the door and tighten. See Figure #3.

## 5. Install Safety Spacers

Once the Rolling brackets have been secured, it is important to install the Safety spacers. These spacers help to protect the door from being bumped off of the track. With the door laying flat in a safe and secure position, place one of the two spacers approximately 2" to the inside of one of the roller brackets. Place slightly off center towards the front of the door. Using a drill, secure the spacer with the screw provided. Repeat steps to install the second spacer inside the other roller bracket.

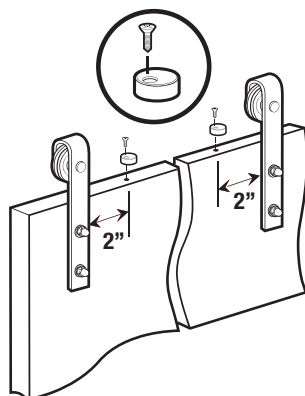


Fig. 4

See Figure #4.

## 6. Place Door onto Track

Position the door over the opening and slightly tilt the bottom of the door outward away from the wall. Set the rollers securely onto the track. Once the door is safely mounted and is secure, turn the 2 safety spacers 180 degrees towards the wall. This positions them properly. See Figure #5.

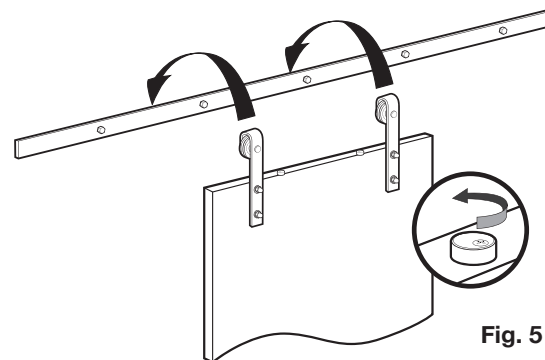


Fig. 5

## 7. Secure Door Stops to Track

Move the door to the Closed position and slide the Door stop to desired location. Using the provided Allen wrench, tighten the screws in the top of the door stop to secure it in place. Then carefully glide the door into the full open position and repeat the steps for the remaining Door stop.

See figure # 6.

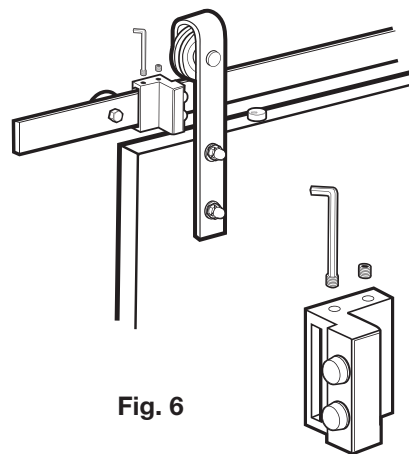


Fig. 6

## 8. Secure Bottom Door Glide

The Bottom Door glide keeps the door from swinging outward away from the wall. To locate the proper installation position in the floor, slide the door into the closed position to where it is flush with the opening and mark the outside edge of the door on the floor. Now place the door into the open position and slide the Door glide onto the inside edge of the bottom of the door and place it onto the spot you marked. Make sure that whether the door is in the open or closed position, that the door NEVER leaves the Door glide. This is the proper location for the Door glide. Make sure your glide location is well marked. Slide the door out of the way and using a drill and the screw provided, secure the Door glide to the floor.

See Figure #7.

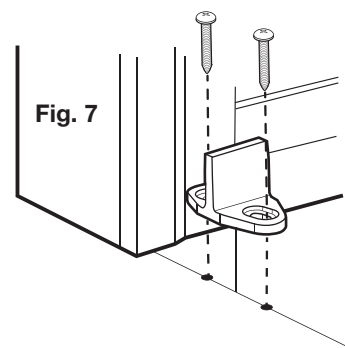


Fig. 7

**WARNING:** Safety spacers MUST be installed and rotated properly after door installation to prevent the door from lifting and falling off the track. Improper installation could cause serious bodily harm.

# Barn Door Track Installation

## 9. Attaching a Handle

If you install a handle, measure up approximately 38" to 40" from the bottom of the door (or desired height), mark the location and then measure in from the edge of the door to where you would like the handle placement and mark that location. If using the provided handle, drill a hole at the marked location using a 5/16" drill bit then put one side of the handle, washer and screw through the hole and then on the back side of the door, place the other side of handle and washer onto the screw until tight. If using another type of handle, be sure it corresponds with the thickness of your Barn door. **See Figure #8.**

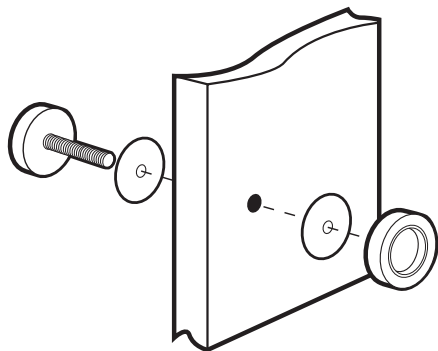


Fig. 8

## Overview

